

**MVK-MPNIO DIO14 IOL2 IRT 7/8" 5pin**

Digital inputs/outputs

DIO14 IOL2 (IRT)

Ethernet 10/100 Mbit/s; M12, D-coded

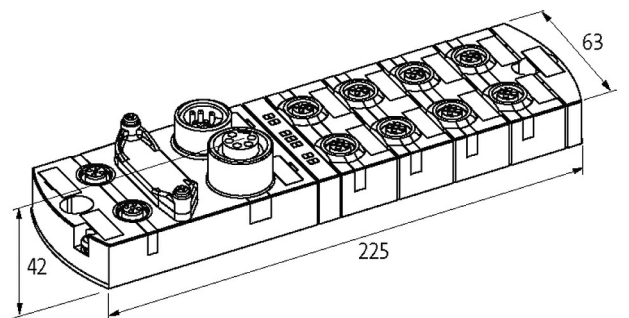
7/8", 5-pole, 2× max. 9 A

M12, 5-pole, A-coded

IO-Link Master V1.12

Connection cables are in the online shop under "Connection Technology".

Housing fully potted.

**Illustration**

Product may differ from Image

**Approvals****More Info****Input**

Sensor supply US	24 V DC (EN 61131-2), max. 200 mA (M12 female), short-circuit and overload protected
Type	for 3-wire sensors or mechanical switches, PNP, IO-Link Devices

**Output**

Actuator supply UA	24 V DC (EN 61131-2), max. 9 A
Switching current per output	max. 1.6 A (short-circuit and overload protected)
Lamp load	10 W

Connections	
Fieldbus	Ethernet 10/100 Mbit/s; M12, D-coded
Sensor-system/actuator supply	7/8", 5-pole, 2× max. 9 A
I/O ports	M12, 5-pole, A-coded
General data	
Protection	IP67
Mounting method	2-hole screw mounting
Dimensions H×W×D	42×63×225 mm
Temperature range	-25...+60 °C (storage temperature -25...+70 °C)
IO-Link	
IO-Link	2× Master
Operating modes	COM1; COM2; COM3 (automatic)
Transfer parameters	32 Byte (per IO-Link port)
Port Class	Class B (not galvanically separated)
Specification	IO-Link Master V1.12
PROFINET	
FSU (Fast-Start-Up)	max. 500 ms
Shared Device/Input	yes, for 2 controls
PROFINET Netload Class	III
Specification	V2.3, Conformance Class C (IRT)
MRP	yes
Addressing	DCP
Parameterization	
PIN 4	Input/Output (port X0...X7); IO-Link Master (port X6, X7)
PIN 2	Input/Output (port X0...X7); U-Actuator IO-Link Class B (port X6, X7)
Diagnostic	
Communication status	via LED
Diagnostic via LED	per module and channel
Diagnostic via BUS	per module and channel
Monitoring - under voltage	yes
Monitoring - no voltage	yes
Short-circuit and overload	yes
Actuator warning	per channel via LED and BUS
Cable break	per port
Commercial data	
country of origin	DE
customs tariff number	85389099
EAN	4048879585446
eClass	27242604
Packaging unit	1